

Revisions				216323	C
LAL	Rev.	Description	Chk	Date	Approved
	A	ENGRG RELEASE	<i>RF</i>	3-4-76	<i>RF</i>
	B	REVISED	<i>RF</i>	6-16-76	<i>RF</i>
	C	M/L ITEM 45 WAS 10K P/N 116447-103. SH 9 RI WAS 10K.	<i>RF</i>	9-28-76	<i>RF</i>

ENGINEERING
RELEASE

THIS DOCUMENT CONTAINS 23 SHEETS.

Dist Code ALT

These drawings and specifications, and the data contained therein, are the exclusive property of Xerox Corporation and/or Rank Xerox, Ltd. issued in strict confidence and shall not, without the prior written permission of Xerox Corporation or Rank Xerox, Ltd., be reproduced, copied or used for any purpose whatsoever, except the manufacture of articles Xerox Corporation or Rank Xerox, Ltd.	Notes Unless Specified 1. Tolerances .XX ±.03 Angular .XXX ±.010 ±½° 2. Break All Sharp Edges .010 Approx. 3. Mach. Surfaces <input checked="" type="checkbox"/> 4. All Dim. in Inches	Drawn <i>Milman 3-3-76</i>	Xerox Corporation El Segundo, California		XEROX
		Check <i>Milman 3-3-76</i> Appr. <i>Milman 3-3-76</i>	Title ALTO II ASSEMBLY, PRINTED WIRING- ETHERNET		
Model No. ALTO II First Use EW07YF92	Finish	Code Ident. 18338	Size A	Dwg. No. 216323	Change Letter C
Next Assy. First Use 216302		Scale	Do Not Scale Drawing	Sheet 1	

NOTES: UNLESS OTHERWISE SPECIFIED

1. THE FOLLOWING MODIFICATIONS HAVE TO BE MADE TO THIS ASSEMBLY USING "B" REVISION PRINTED WIRING BOARDS:

CUT ETCH BETWEEN

- 1) A47-12 AND A50-2
- 2) A50-2 AND A60-5
- 3) A50-13 AND A54-6

ADD WIRE FROM

- 1) A47-4 TO A60-5
- 2) A54-6 TO A60-5
- 3) A50-2 TO A64-6
- 4) A64-4 TO A77-7
- 5) A64-5 TO A75-6
- 6) A50-13 TO EC PIN 76

2. ASSEMBLE PER ALTO II MODULE ASSEMBLY SPECIFICATION, DWG NO. 216207.

These drawings and specifications, and the data contained therein, are the exclusive property of Xerox Corporation and/or Rank Xerox, Ltd. issued in strict confidence and shall not, without the prior written permission of Xerox Corporation or Rank Xerox, Ltd., be reproduced, copied or used for any purpose whatsoever, except the manufacture of articles for Xerox Corporation or Rank Xerox, Ltd.

Title
ASSY, PRINTED WIRING
ETHERNET

Xerox Corporation
El Segundo, California

XEROX

216323

C

Sheet

2

Of

ALTO II ETHERNET

ASSY NO. 216323

PWB NO. 216325

PWB NO. 216325

PWB NO. 216325

PWB NO. 216325

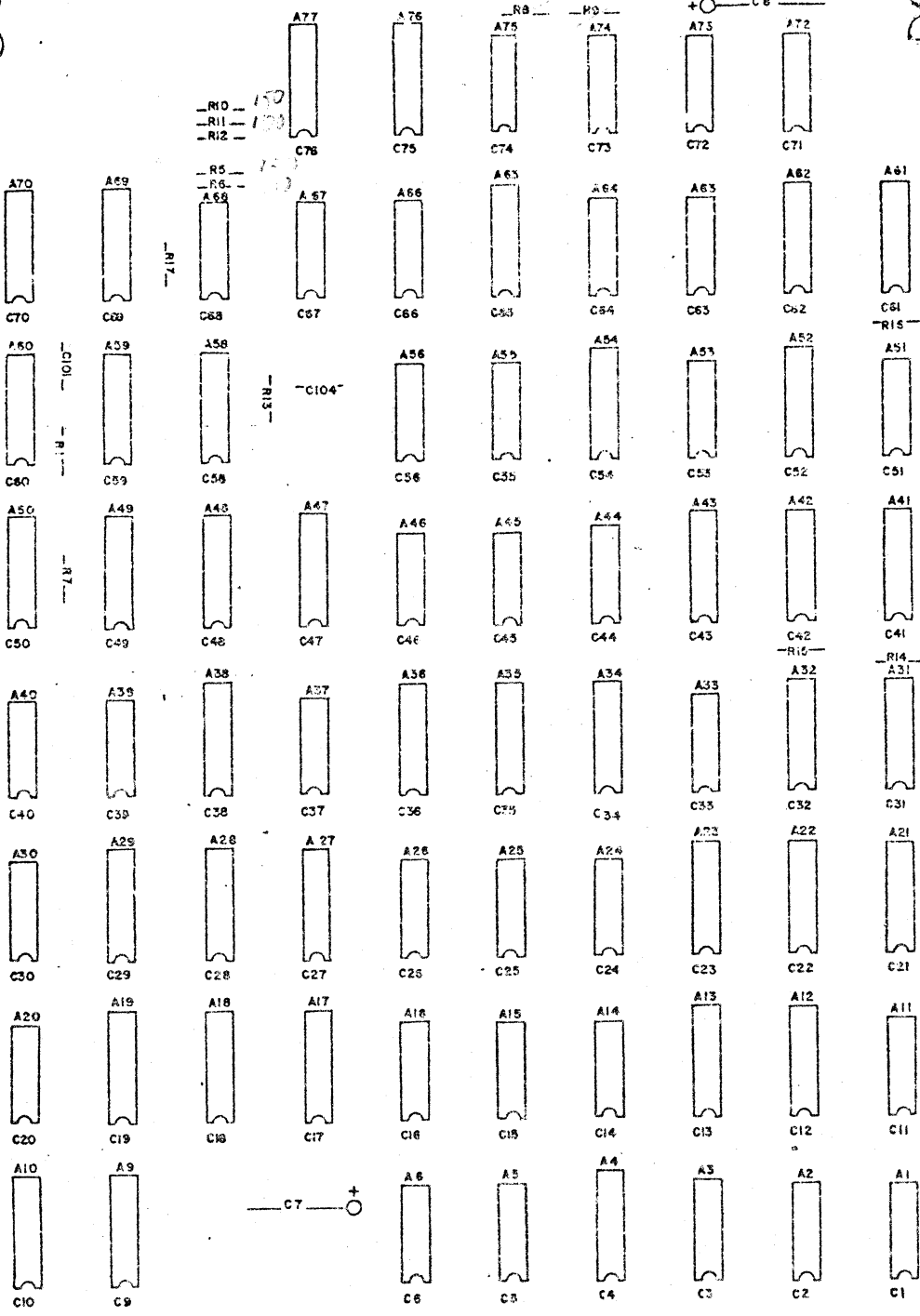
PWB NO. 216325

PWB NO. 216325

PWB NO. 216325

PWB NO. 216325

PWB NO. 216325



56
59
2 PLACES

55

These drawings and specifications, and the data contained therein, are the exclusive property of Xerox Corporation and/or Rank Xerox, Ltd. issued in strict confidence and shall not, without the prior written permission of Xerox Corporation or Rank Xerox, Ltd., be reproduced, copied or used for any purpose whatsoever, except the manufacture of articles for Xerox Corporation or Rank Xerox, Ltd.

Title
ASSEMBLY, PRINTED
WIRING-
ETHERNET

Xerox Corporation
El Segundo, California

XEROX

216323

C

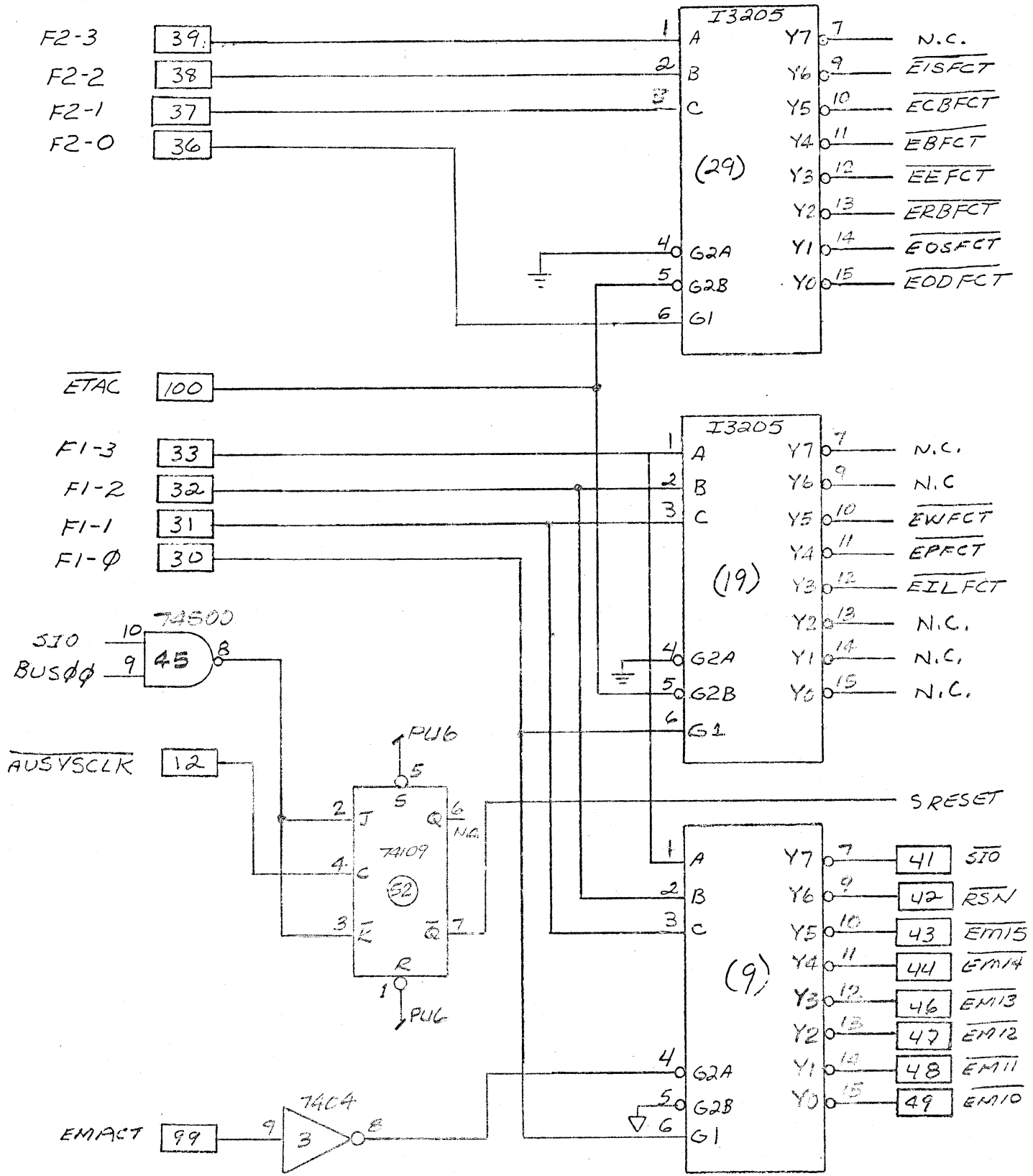
Sheet 3 Of

Material List

ML	Drawing No. 216323	Rev. C
-----------	-----------------------	-----------

Rev. 216323	Drawing Title ALTO II ASSEMBLY, PRINTED WIRING-- ETHERNET	These drawings and specifications, and the data contained therein, are the exclusive property of Xerox Corporation and/or Rank Xerox, Ltd. issued in strict confidence and shall not, without the prior written permission of Xerox Corporation or Rank Xerox, Ltd., be reproduced, copied or used for any purpose whatsoever, except the manufacture of articles for Xerox Corporation or Rank Xerox, Ltd.		
	Model No. EWO 7YF92	Date 3-3-76	Sheet 4 of	

Item No.	Drawing Title	Drawing No.	No. Req.	Remarks
1	Board, P.W. Ethernet	216325	1	
2	Procedure, Test	216324	REF	
3	Spec, Module Assembly	216207	REF	
4	Microcircuit, 74H21		2	A1, 39
5	7408		3	A63, 64, 68
6	7404		3	A3, 44, 55
7	74H01		1	A30
8				
9	7437		1	A73
10	74LS298		4	A13, 17, 23, 27
11	7400		2	A20, 46
12	74164		2	A33, 37
13	74165		2	A34, 36
14	7402		2	A40, 72
15	74174		1	A43
16	74157		2	A48, 54
17	74123		2	A50, 60
18	7410		2	A56, 74
19	74161		2	A58, 59
20	7486		1	A67
21	74S08		1	A2
22	7438		8	A5, 6, 14, 15, 16, 24, 25, 26
23	74S37		1	A11
24	74S00		3	A45, 75, 66
25	74S157		1	A76
26	898-1-R1.0K Beckman		3	A4, 32, 38
27	I3205 Intel		3	A9, 19, 29
28	I3101A Intel		4	A12, 18, 22, 28
29	P3601 M.I.L.		3	A41, 42, 49
30	Microcircuit, 9401 Fairchild		1	A53
31	Microcircuit, 74109		13	A10, 21, 31, 35, 47, 51, 52, 61, 62, 65, 69, 70, 77

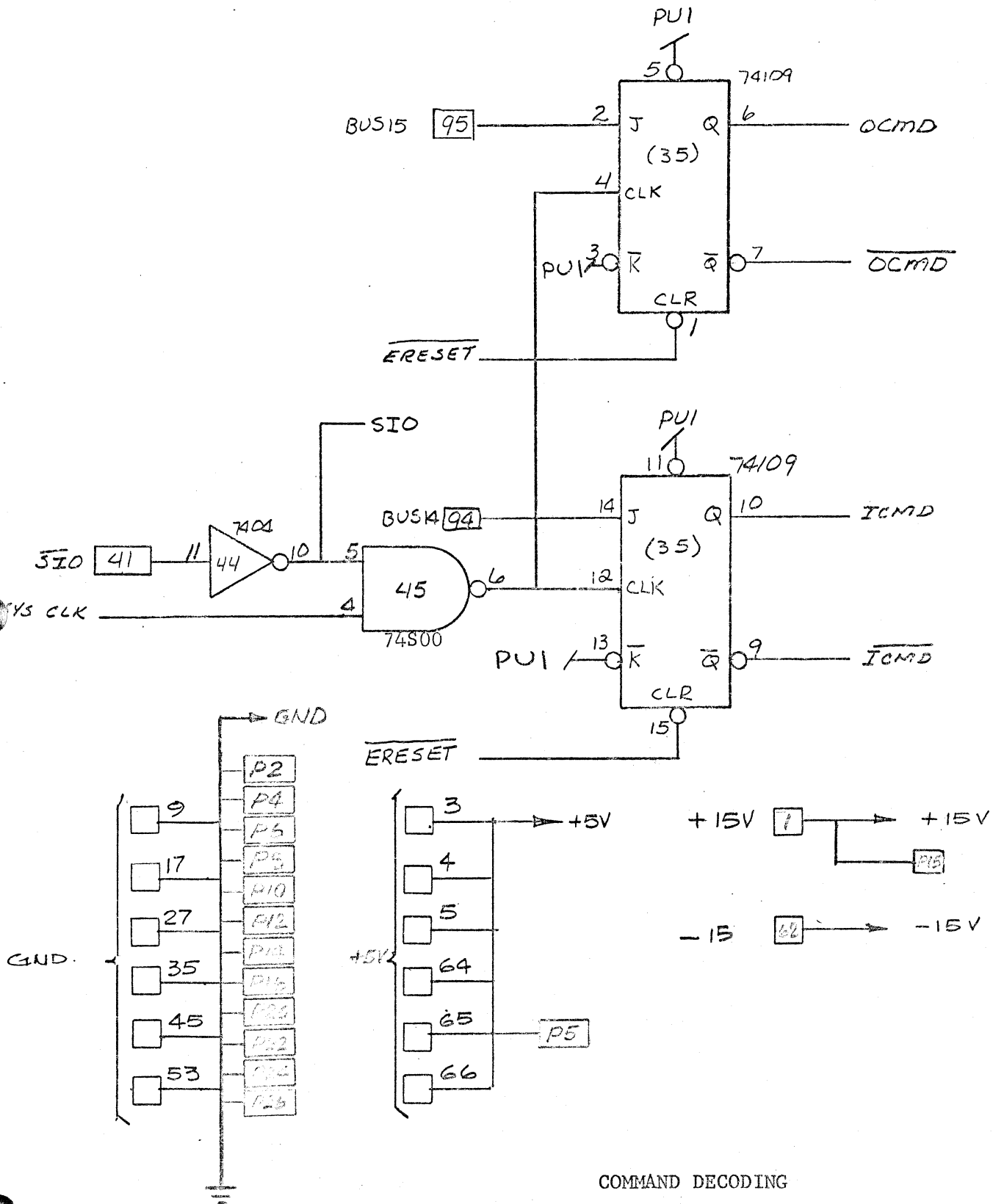


COMMAND DECODING

These drawings and specifications, and the data contained therein, are the exclusive property of Xerox Corporation and/or Rank Xerox, Ltd. issued in strict confidence and shall not, without the prior written permission of Xerox Corporation or Rank Xerox, Ltd., be reproduced, copied or used for any purpose whatsoever, except the manufacture of articles for Xerox Corporation or Rank Xerox, Ltd.

Title ALTO II
 ASSEMBLY, PRINTED WIRING
 ETHERNET

Xerox Corporation
 El Segundo, California
 216323
 Sheet 6 of 9
 C



COMMAND DECODING

These drawings and specifications, and the data contained therein, are the exclusive property of Xerox Corporation and/or Rank Xerox, Ltd. issued in strict confidence and shall not, without the prior written permission of Xerox Corporation or Rank Xerox, Ltd., be reproduced, copied or used for any purpose whatsoever, except the manufacture of articles for Xerox Corporation or Rank Xerox, Ltd.

Title ALTO II
 ASSEMBLY, PRINTED WIRING
 ETHERNET

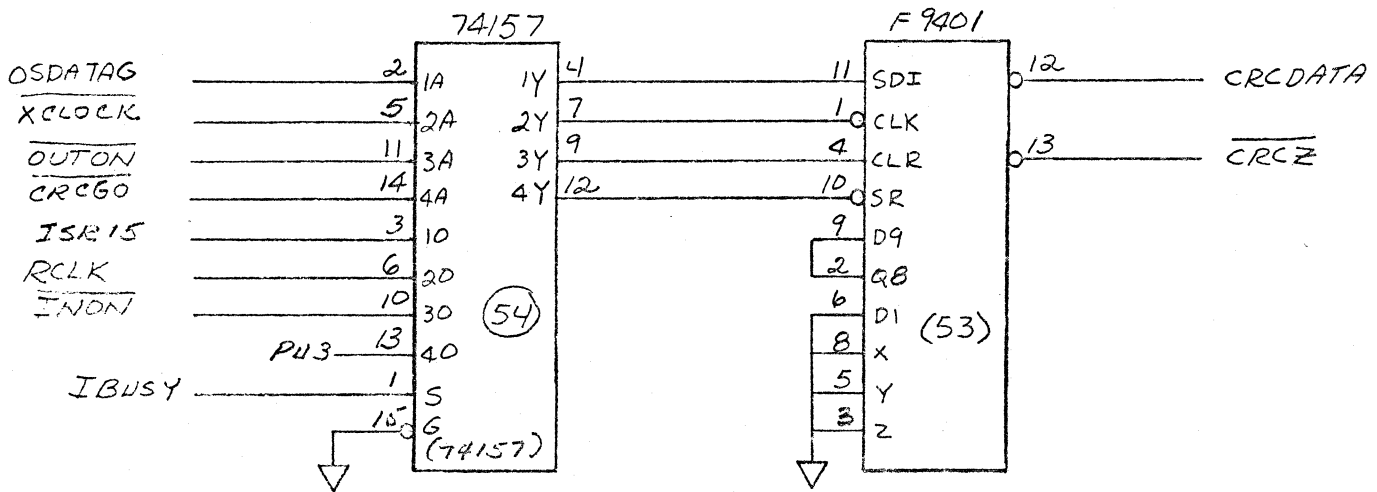
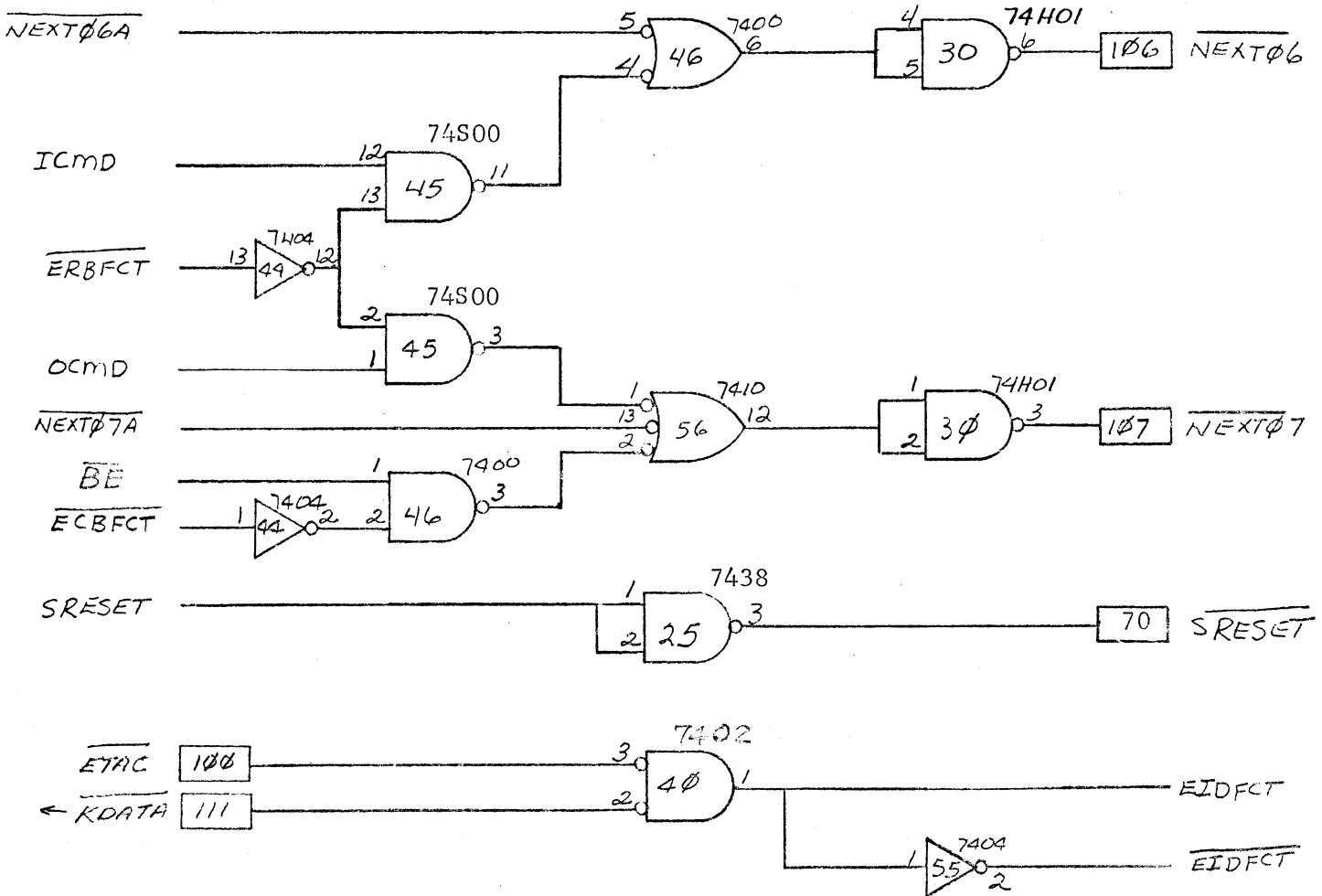
Xerox Corporation
 El Segundo, California

XEROX

216323

C

Sheet 7 Of



BRANCH LOGIC

These drawings and specifications, and the data contained therein, are the exclusive property of Xerox Corporation and/or Rank Xerox, Ltd. issued in strict confidence and shall not, without the prior written permission of Xerox Corporation or Rank Xerox, Ltd., be reproduced, copied or used for any purpose whatsoever, except the manufacture of articles for Xerox Corporation or Rank Xerox, Ltd.

Title
ALTO II
ASSEMBLY, PRINTED WIRING
ETHERNET

Xerox Corporation
El Segundo, California

XEROX

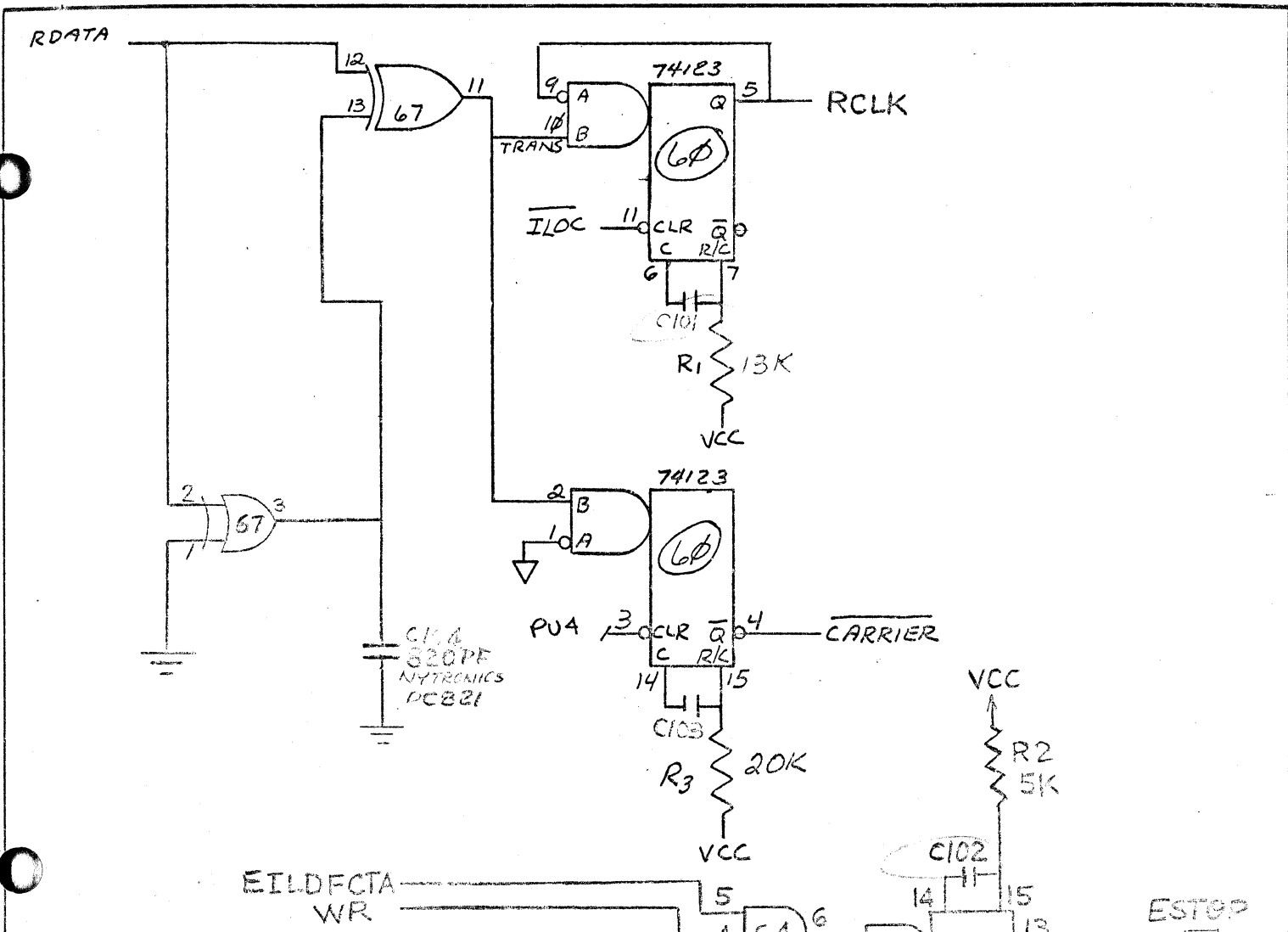
216323

C

Sheet

8

of



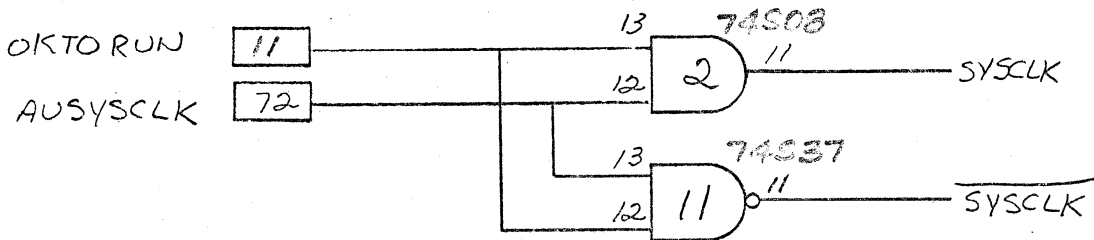
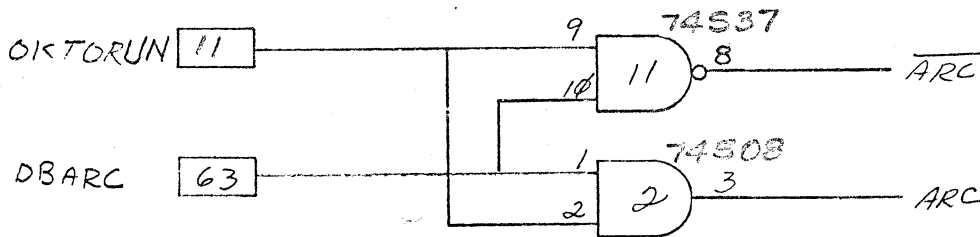
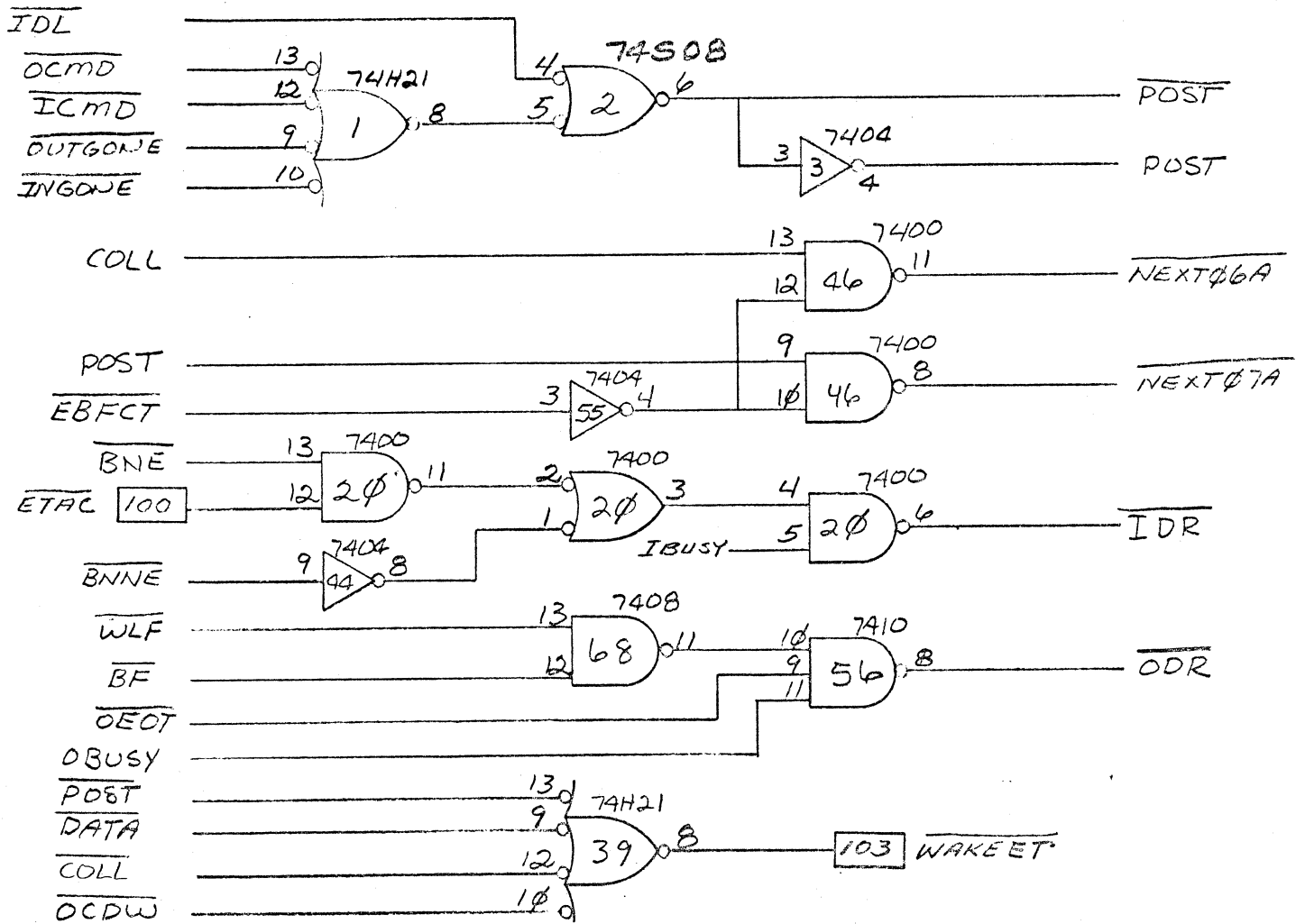
EILDFCTA
WR

	2.94 MBS
T ₁	255ns
R ₁	10K
C ₁₀₁	47pf
T ₂	170ns
R ₂	5K
C ₁₀₂	68pf
T ₃	425ns
R ₃	20K
C ₁₀₃	39pf
C ₁₀₄	820PF

These drawings and specifications, and the data contained therein, are the exclusive property of Xerox Corporation and/or Rank Xerox, Ltd. issued in strict confidence and shall not, without the prior written permission of Xerox Corporation or Rank Xerox, Ltd., be reproduced, copied or used for any purpose whatsoever, except the manufacture of articles for Xerox Corporation or Rank Xerox, Ltd.

Title
ALTO II
ASSEMBLY, PRINTED WIRING
ETHERNET

Xerox Corporation
El Segundo, California
216323
C
Sheet 9 Of



NEXT 67	WAKEUP TYPE
00	DATA (CDW)
01	POST
10	COLL
11	POST

ALTO INTERFACE

These drawings and specifications, and the data contained therein, are the exclusive property of Xerox Corporation and/or Rank Xerox, Ltd. issued in strict confidence and shall not, without the prior written permission of Xerox Corporation or Rank Xerox, Ltd., be reproduced, copied or used for any purpose whatsoever, except the manufacture of articles for Xerox Corporation or Rank Xerox, Ltd.

Title
ALTO II
ASSEMBLY, PRINTED WIRING
ETHERNET

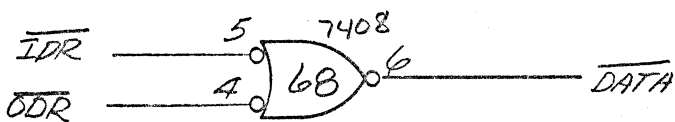
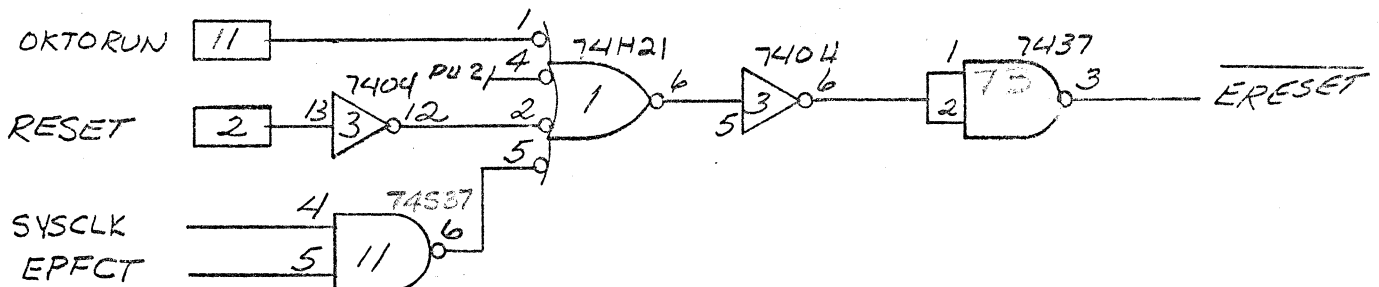
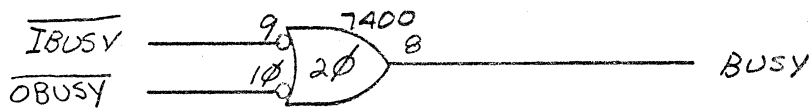
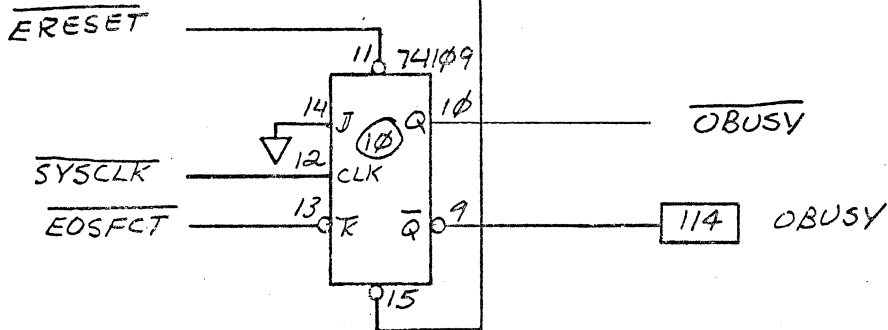
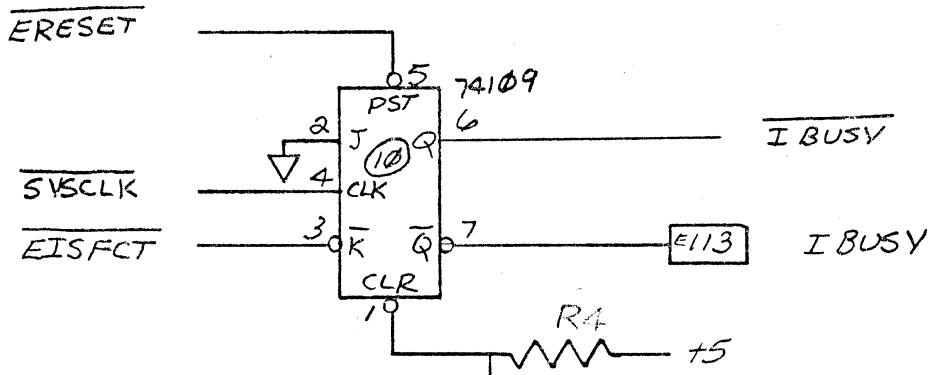
Xerox Corporation
El Segundo, California

XEROX

216323

C

Sheet 12 of



ALTO INTERFACE

These drawings and specifications, and the data contained therein, are the exclusive property of Xerox Corporation and/or Rank Xerox, Ltd. issued in strict confidence and shall not, without the prior written permission of Xerox Corporation or Rank Xerox, Ltd., be reproduced, copied or used for any purpose whatsoever, except the manufacture of articles for Xerox Corporation or Rank Xerox, Ltd.

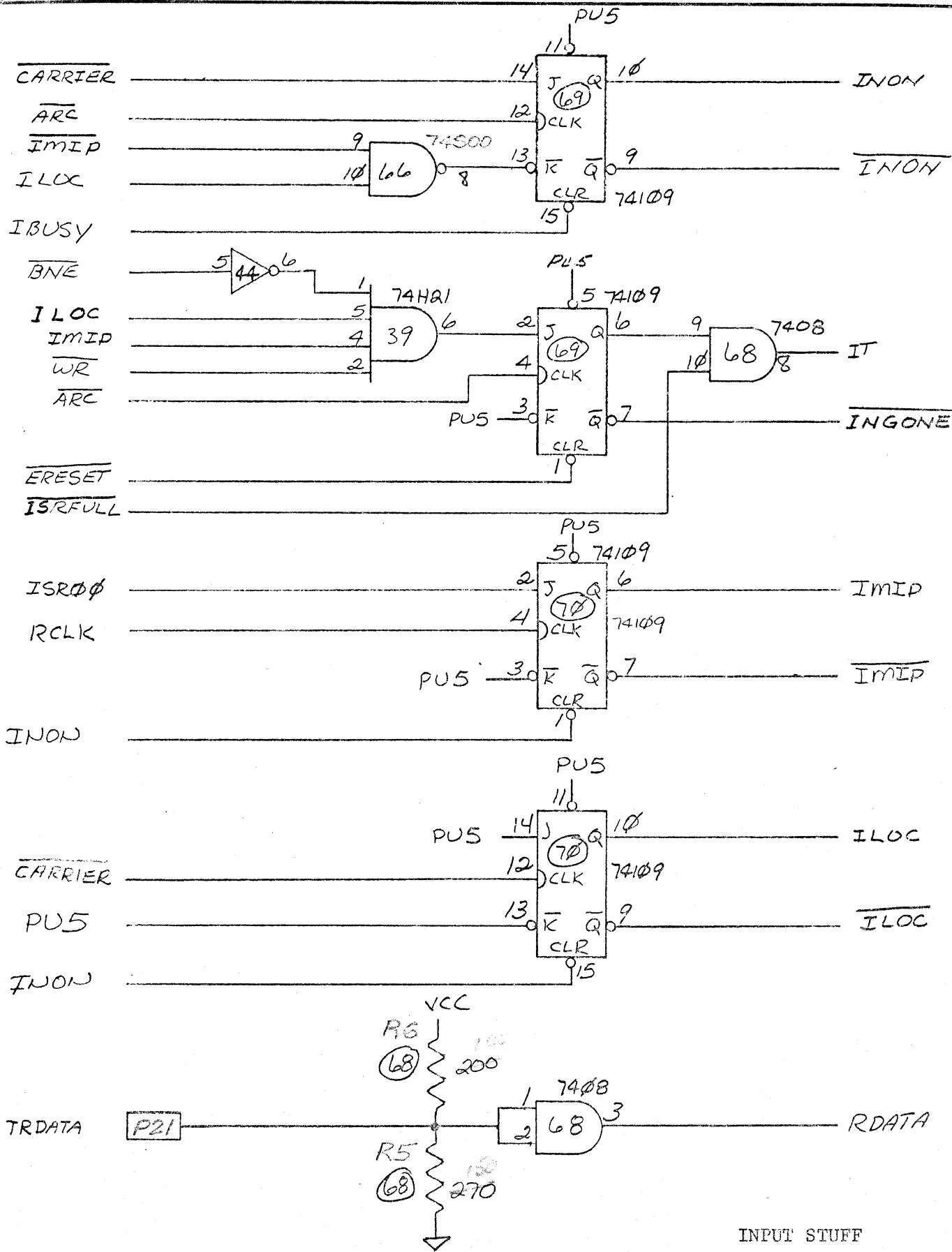
Title ALTO II
ASSEMBLY, PRINTED WIRING
ETHERNET

Xerox Corporation
El Segundo, California

XEROX

Sheet 13 Of

C

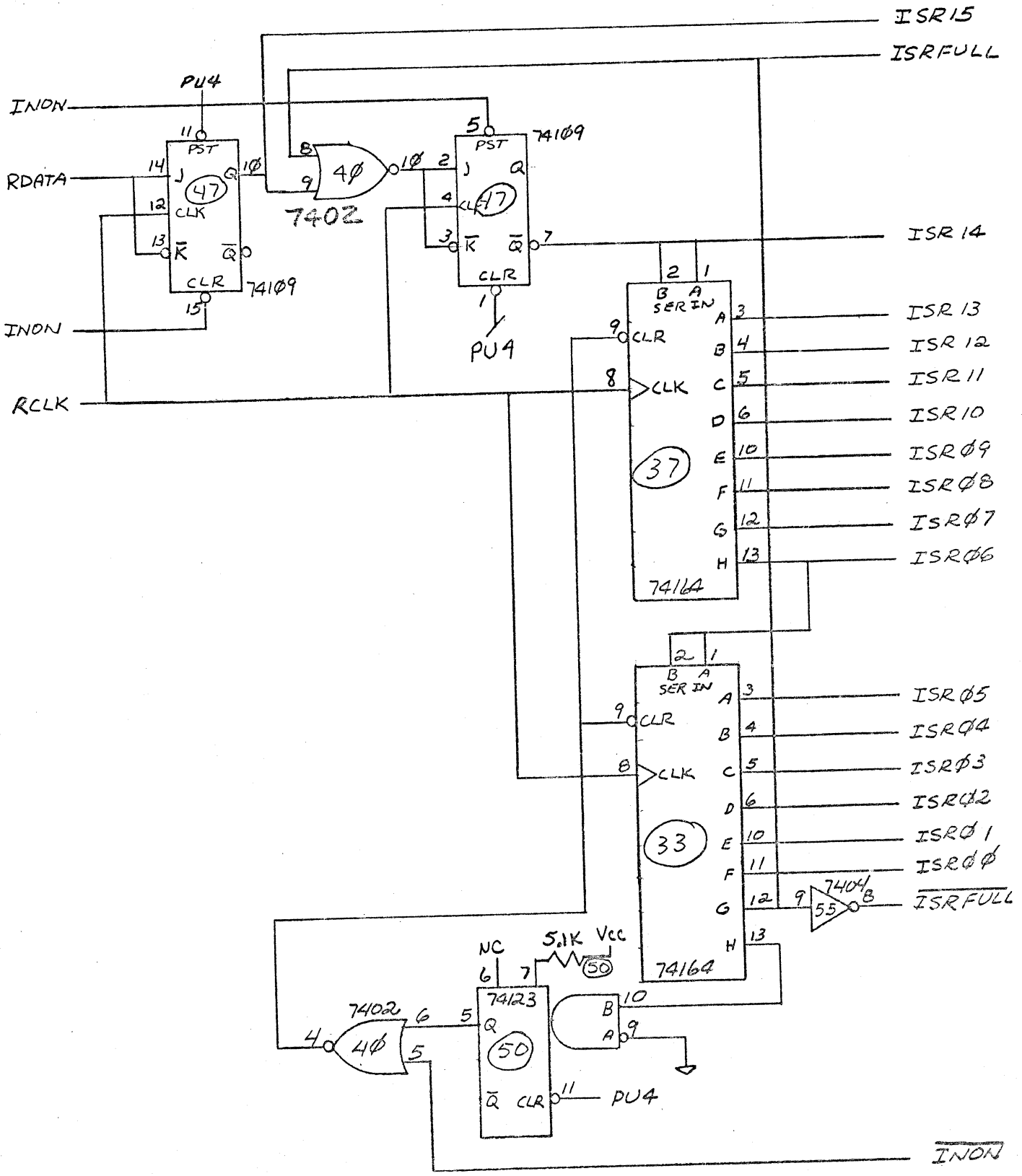


INPUT STUFF

These drawings and specifications, and the data contained therein, are the exclusive property of Xerox Corporation and/or Rank Xerox, Ltd. issued in strict confidence and shall not, without the prior written permission of Xerox Corporation or Rank Xerox, Ltd., be reproduced, copied or used for any purpose whatsoever, except the manufacture of articles for Xerox Corporation or Rank Xerox, Ltd.

Title
ALTO II
ASSEMBLY, PRINTED WIRING
ETHERNET

Xerox Corporation El Segundo, California	XEROX
216323	C
Sheet	14 of

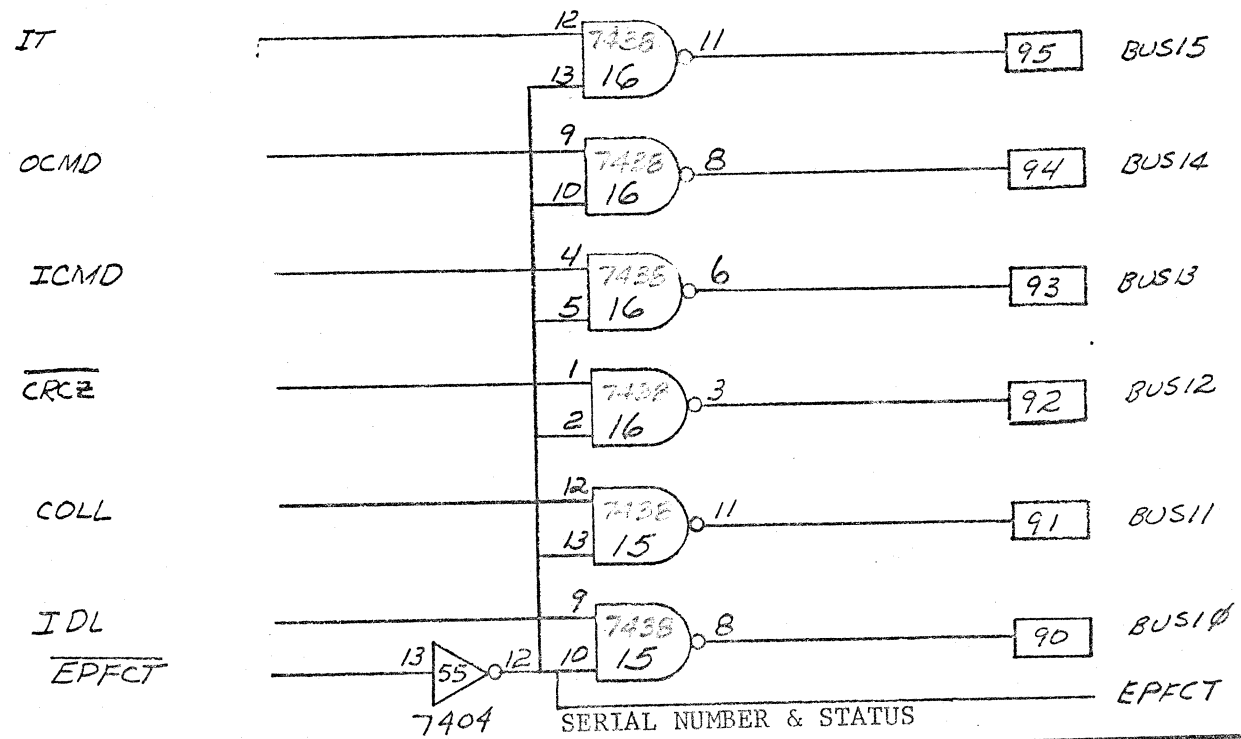
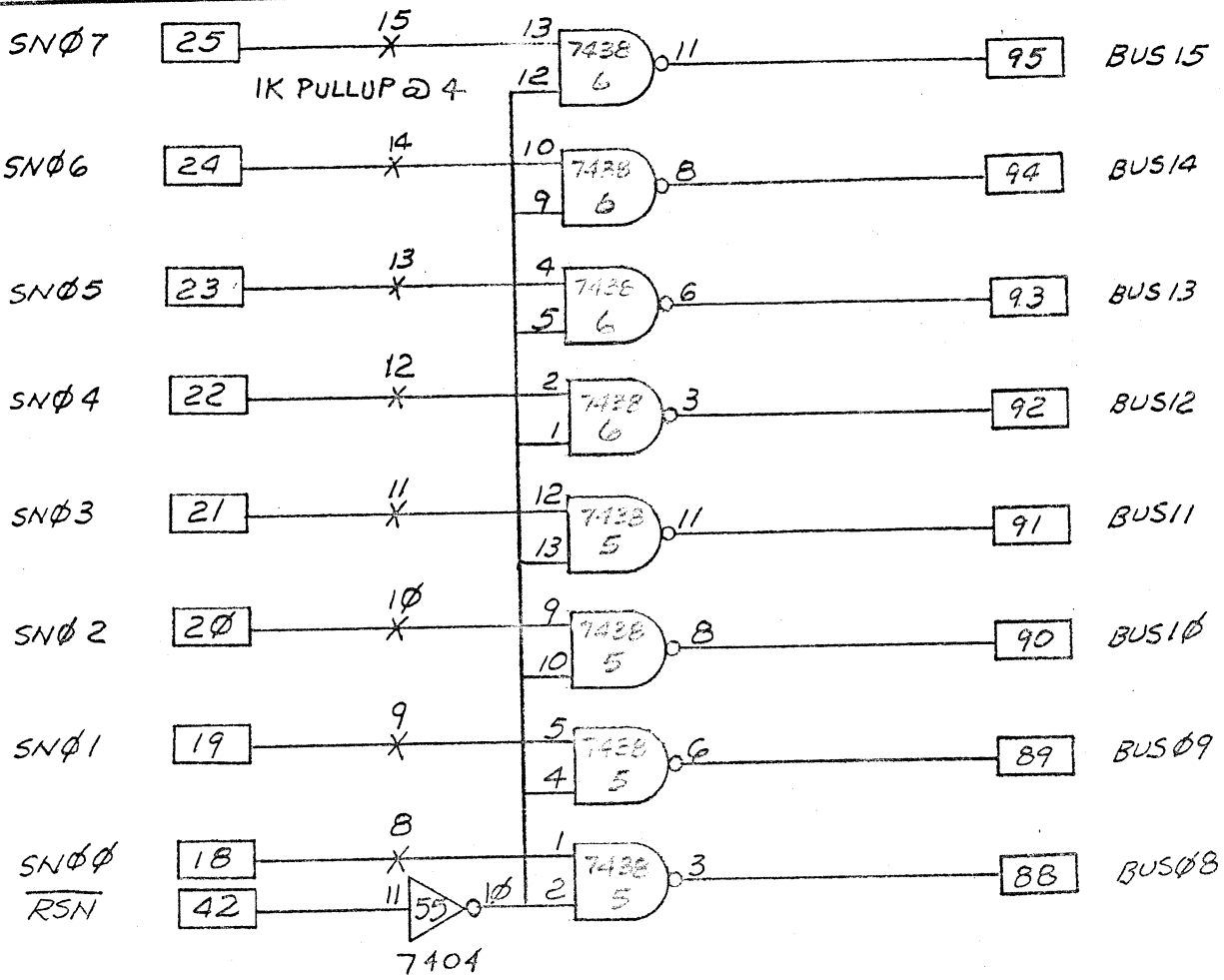


INPUT SHIFT REGISTER

These drawings and specifications, and the data contained therein, are the exclusive property of Xerox Corporation and/or Rank Xerox, Ltd. issued in strict confidence and shall not, without the prior written permission of Xerox Corporation or Rank Xerox, Ltd., be reproduced, copied or used for any purpose whatsoever, except the manufacture of articles for Xerox Corporation or Rank Xerox, Ltd.

Title
ALTO II
ASSEMBLY, PRINTED WIRING
ETHERNET

Xerox Corporation
El Segundo, California
216323
Sheet 15 of
C

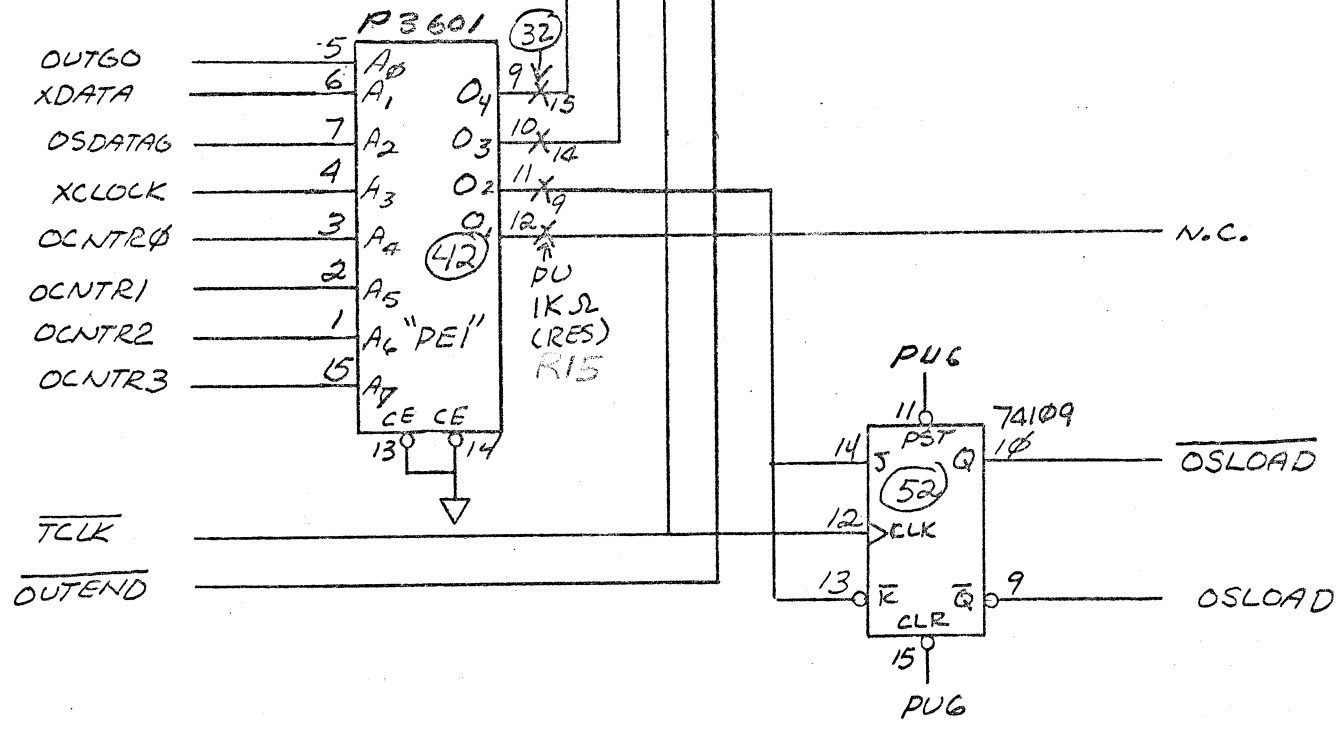
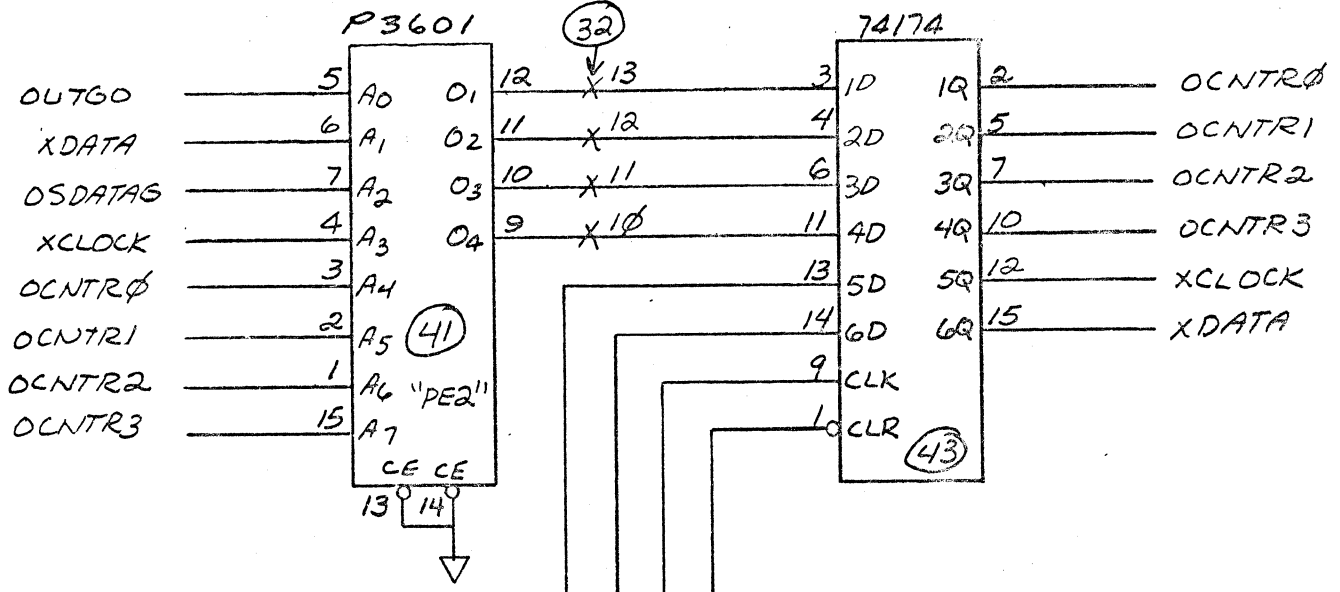


SERIAL NUMBER & STATUS

These drawings and specifications, and the data contained therein, are the exclusive property of Xerox Corporation and/or Rank Xerox, Ltd. issued in strict confidence and shall not, without the prior written permission of Xerox Corporation or Rank Xerox, Ltd., be reproduced, copied or used for any purpose whatsoever, except the manufacture of articles for Xerox Corporation or Rank Xerox, Ltd.

Title
 ALTO II
 ASSEMBLY, PRINTED WIRING
 ETHERNET

Xerox Corporation
 El Segundo, California
 XEROX
 216323
 Sheet 16 of C



OUTPUT S.R. & PHASE ENCODER

These drawings and specifications, and the data contained therein, are the exclusive property of Xerox Corporation and/or Rank Xerox, Ltd. issued in strict confidence and shall not, without the prior written permission of Xerox Corporation or Rank Xerox, Ltd., be reproduced, copied or used for any purpose whatsoever, except the manufacture of articles for Xerox Corporation or Rank Xerox, Ltd.

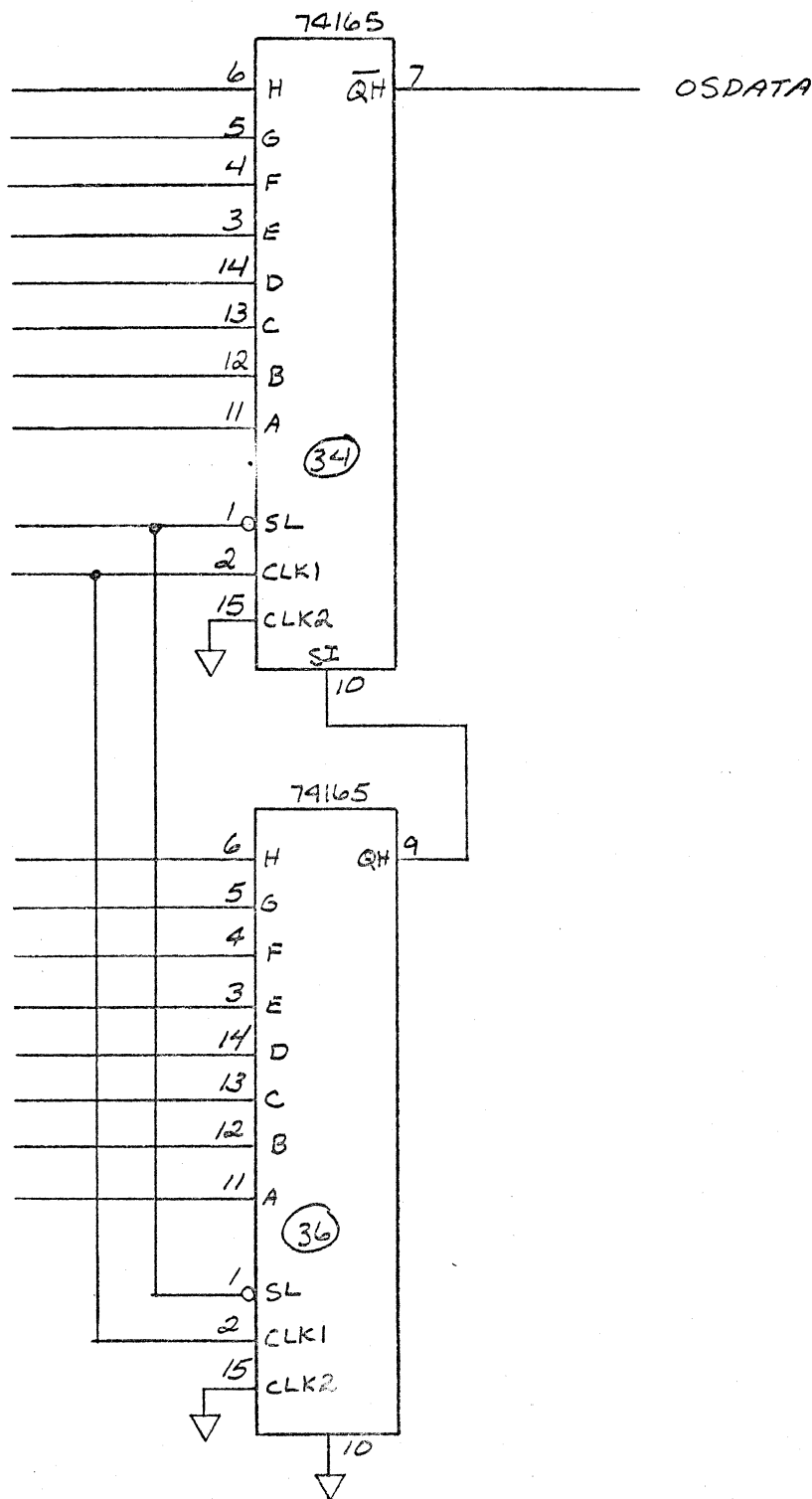
Title
ALTO II
ASSEMBLY, PRINTED WIRING
ETHERNET

Xerox Corporation
El Segundo, California
216323
Sheet 17 Of
C

IM00
IM01
IM02
IM03
IM04
IM05
IM06
IM07

OSLOAD
XCLOCK

IM08
IM09
IM10
IM11
IM12
IM13
IM14
IM15



OUTPUT S.R. & PHASE ENCODER

The drawings and specifications, and the data contained therein, are the exclusive property of Xerox Corporation and/or Rank Xerox, Ltd. issued in strict confidence and shall not, without the prior written permission of Xerox Corporation or Rank Xerox, Ltd., be reproduced, copied or used for any purpose whatsoever, except the manufacture of articles for Xerox Corporation or Rank Xerox, Ltd.

Title
 ALTO II
 ASSEMBLY, PRINTED WIRING
 ETHERNET

Xerox Corporation
 El Segundo, California

XEROX

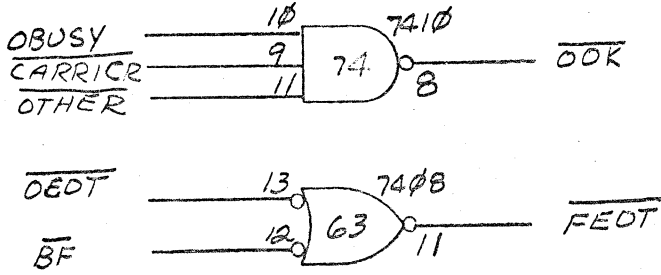
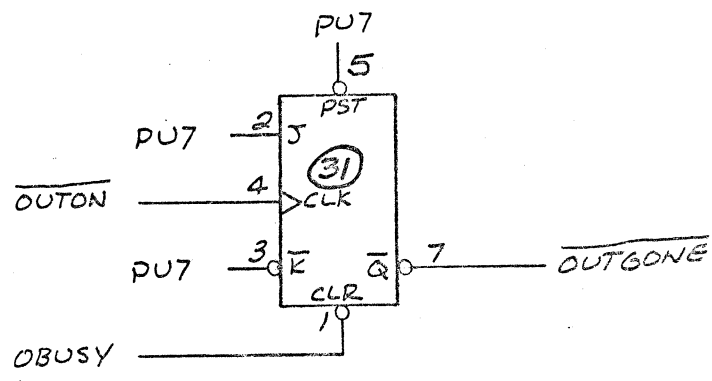
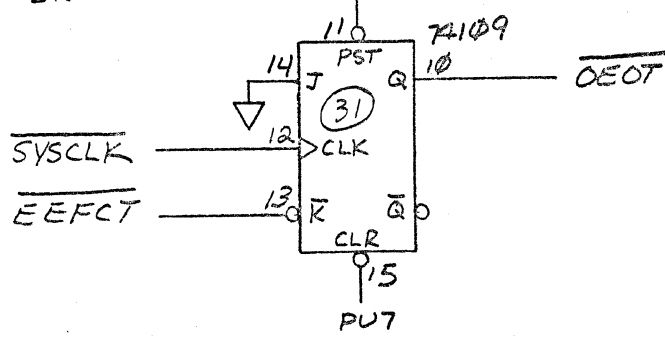
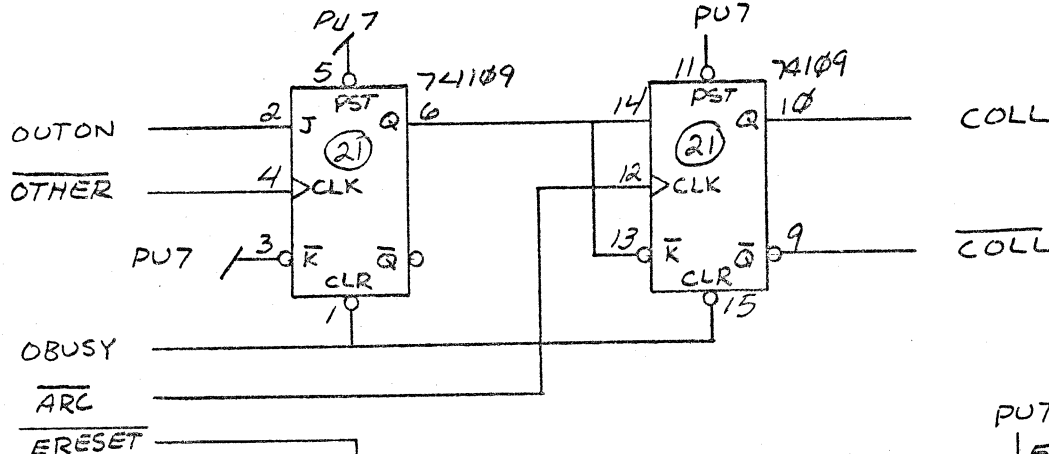
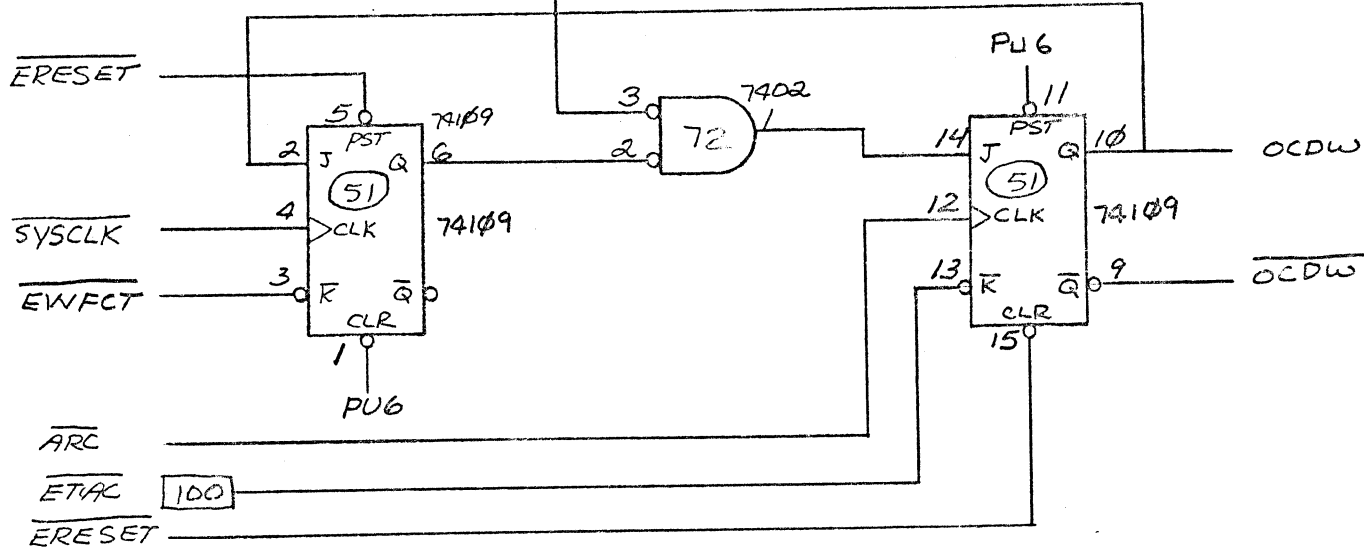
216323

C

Sheet

18 of

SWAKMRT 68



OUTPUT STUFF

These drawings and specifications, and the data contained therein, are the exclusive property of Xerox Corporation and/or Rank Xerox, Ltd. issued in strict confidence and shall not, without the prior written permission of Xerox Corporation or Rank Xerox, Ltd., be reproduced, copied or used for any purpose whatsoever, except the manufacture of articles for Xerox Corporation or Rank Xerox, Ltd.

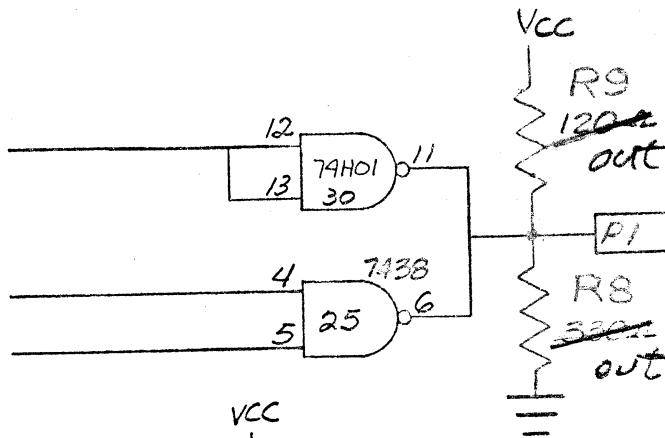
Title
ALTO II
ASSEMBLY, PRINTED WIRING
ETHERNET

Xerox Corporation El Segundo, California		XEROX
216323		
Sheet	19	Of

COLL

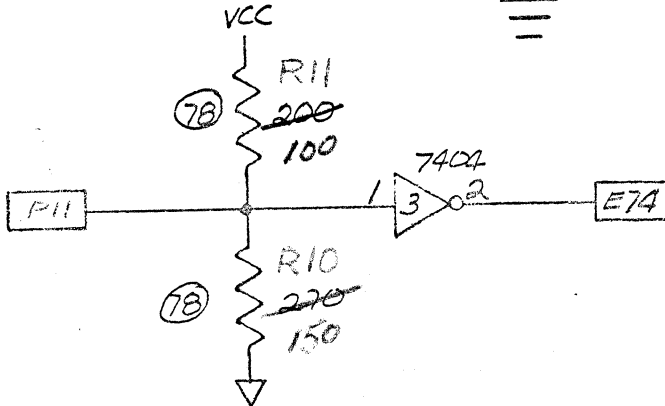
XDATA

COLL



XDATA

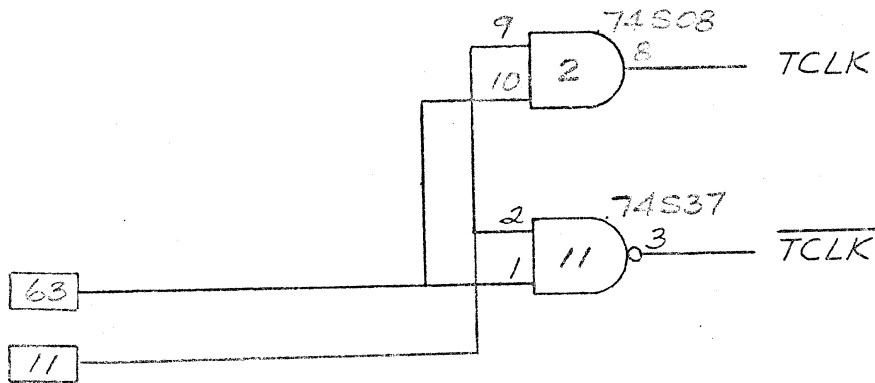
TROTHER



OTHER

DBARC

OK TORUN



OUTPUT STUFF

These drawings and specifications, and the data contained therein, are the exclusive property of Xerox Corporation and/or Rank Xerox, Ltd. issued in strict confidence and shall not, without the prior written permission of Xerox Corporation or Rank Xerox, Ltd., be reproduced, copied or used for any purpose whatsoever, except the manufacture of articles for Xerox Corporation or Rank Xerox, Ltd.

Title
ALTO II
ASSEMBLY, PRINTED WIRING
ETHERNET

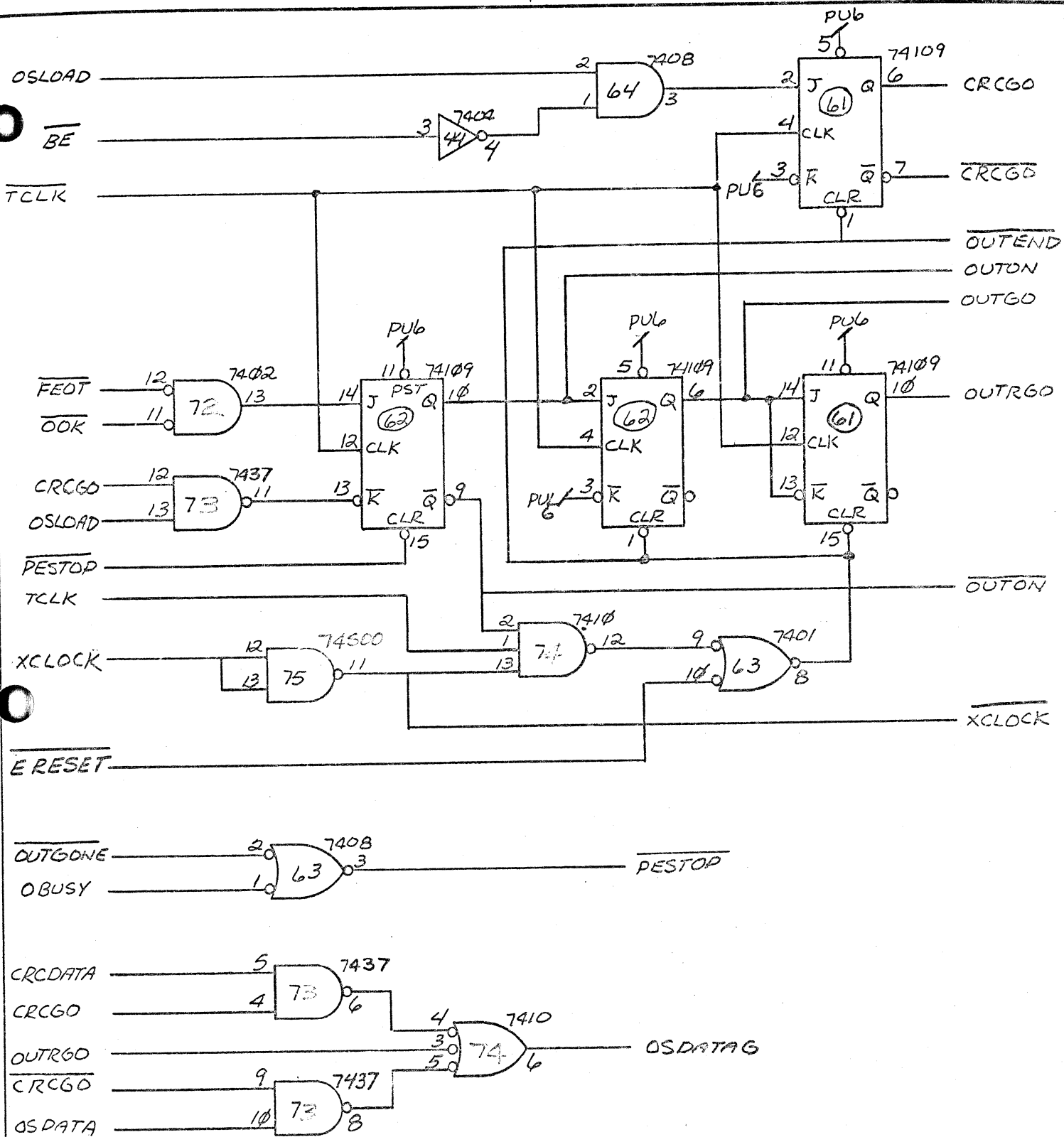
Xerox Corporation
El Segundo, California

XEROX

216323

C

Sheet 20 of



PHASE ENCODER CONTROL

These drawings and specifications, and the data contained therein, are the exclusive property of Xerox Corporation and/or Rank Xerox, Ltd. issued in strict confidence and shall not, without the prior written permission of Xerox Corporation or Rank Xerox, Ltd., be reproduced, copied or used for any purpose whatsoever, except the manufacture of articles for Xerox Corporation or Rank Xerox, Ltd.

Title
ALTO II
ASSEMBLY, PRINTED WIRING
ETHERNET

Xerox Corporation El Segundo, California		XEROX	
216323		C	
Sheet	21	Of	

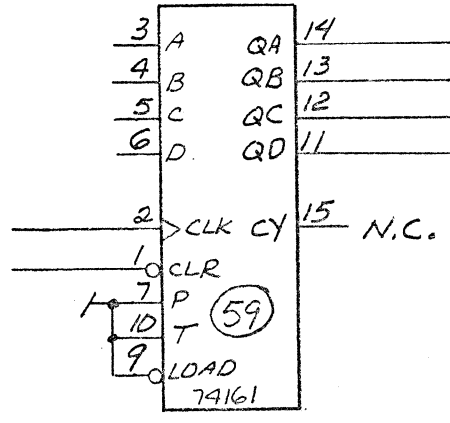
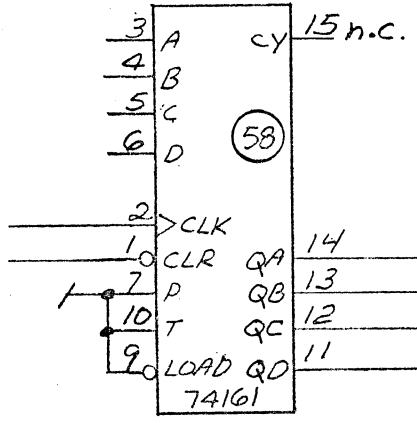
n.c.
n.c.
n.c.
n.c.

RDCNT
BUSY
PU4

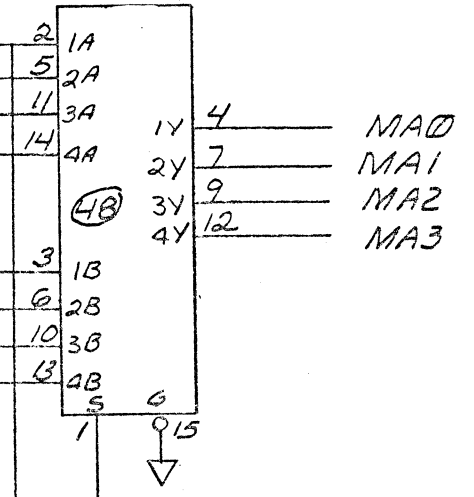
n.c.
n.c.
n.c.
n.c.

WE
BUSY
PU4

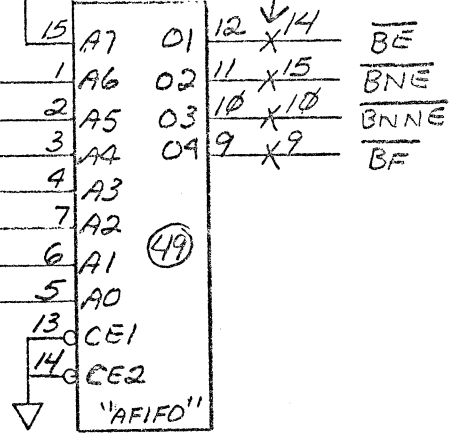
RW



74157



P3601



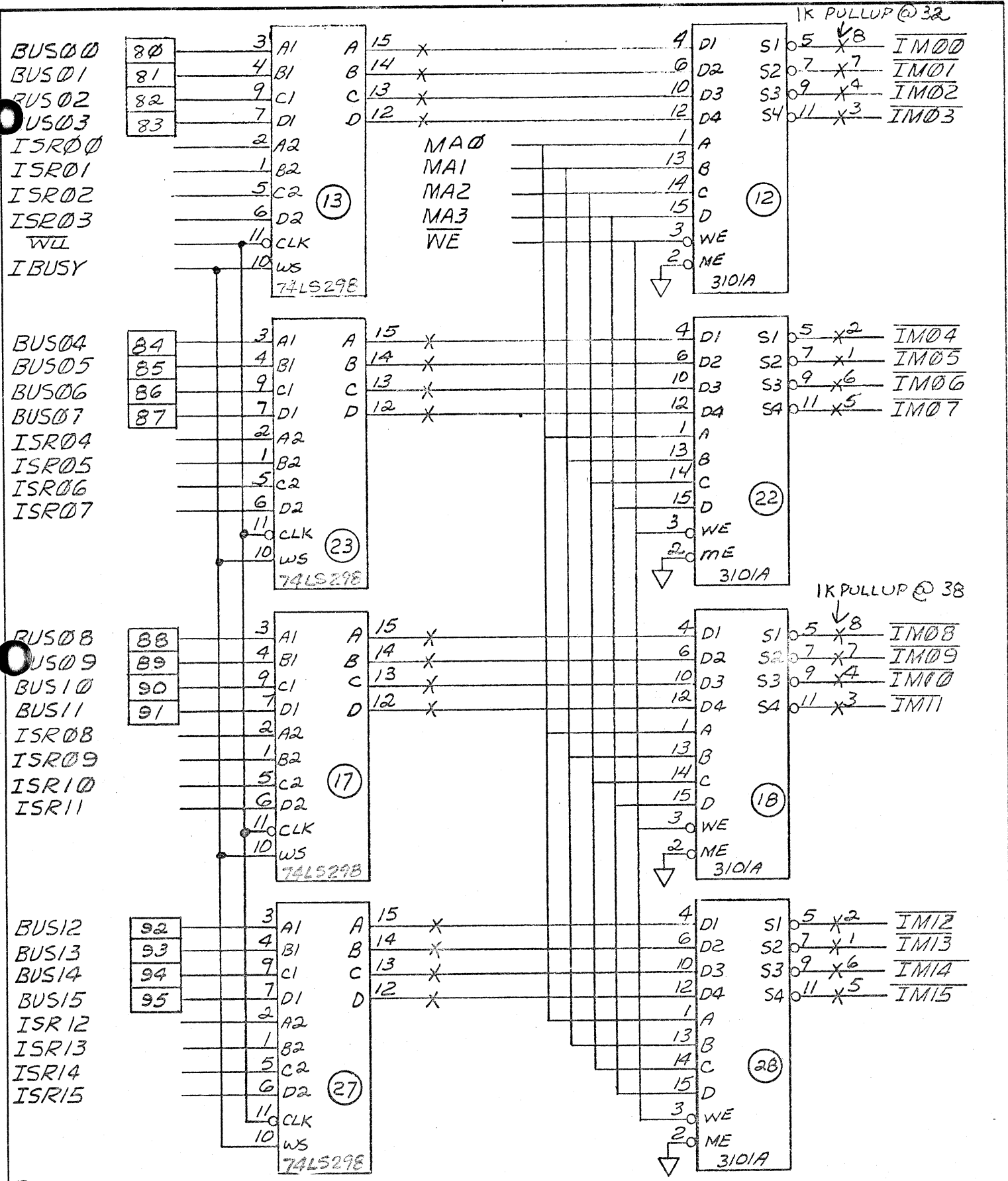
HALF DUPLEX BUFFER

These drawings and specifications, and the data contained therein, are the exclusive property of Xerox Corporation and/or Rank Xerox, Ltd. issued in strict confidence and shall not, without the prior written permission of Xerox Corporation or Rank Xerox, Ltd., be reproduced, copied or used for any purpose whatsoever, except the manufacture of articles for Xerox Corporation or Rank Xerox, Ltd.

Title
ALTO II
ASSEMBLY, PRINTED WIRING
ETHERNET

Xerox Corporation
El Segundo, California
216323
Sheet 22 of 21
C





HALF DUPLEX BUFFER

These drawings and specifications, and the data contained therein, are the exclusive property of Xerox Corporation and/or Rank Xerox, Ltd. issued in strict confidence and shall not, without the prior written permission of Xerox Corporation or Rank Xerox, Ltd., be reproduced, copied or used for any purpose whatsoever, except the manufacture of articles for Xerox Corporation or Rank Xerox, Ltd.

Title
ALTO II
ASSEMBLY, PRINTED WIRING
ETHERNET

Xerox Corporation
 El Segundo, California
XEROX
 216323
 C
 Sheet 23 of